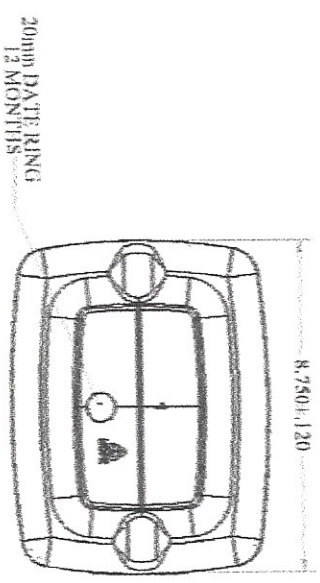
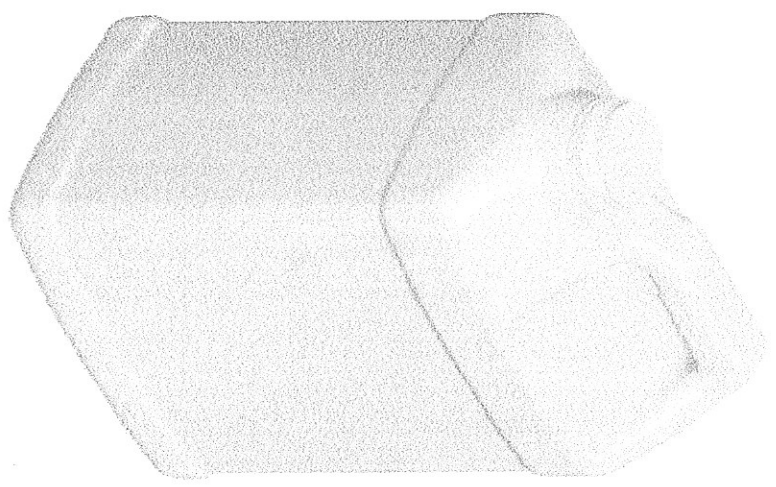
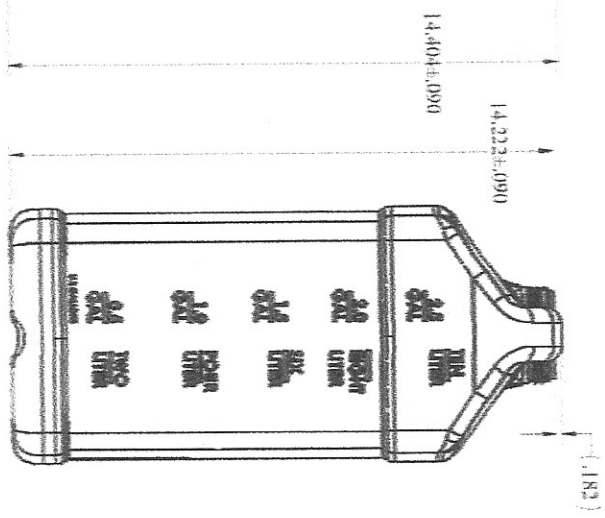
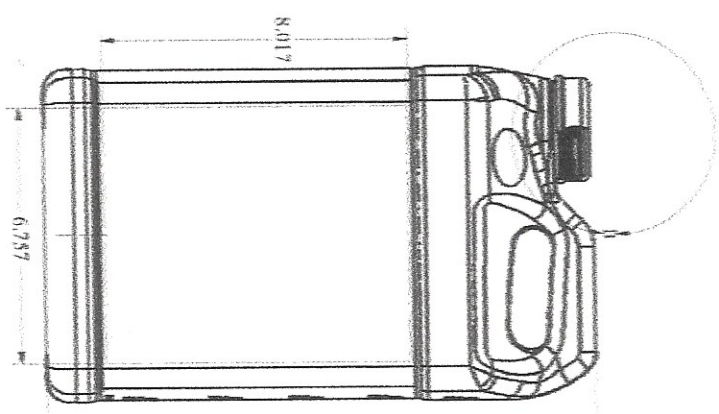
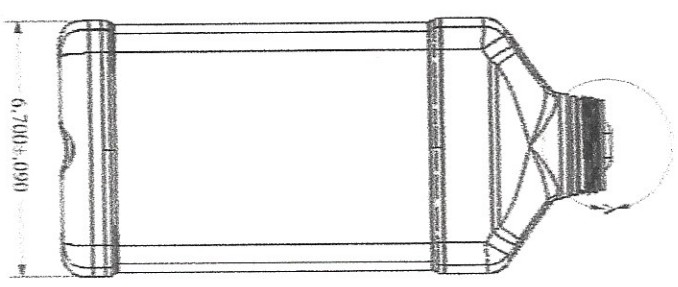


NOTE:
EXISTING STRIKER
MEASURES Ø2.306



Neck Finish		Bottle Description	
T Dia.	2.508	2.5gal / 10 L	
E Dia.	2.358	PIHOFENIX 63-S01	
N	.160	375 (+S / -0) grams	
Start Location	(theoretical)	10783 - 108 101	
Thread Style	90deg from H	H19E	
Turns	M		
	2		
		Label Area Size	8.017 X 6.757

ALLEN PLASTICS INC
Quality Packaging to Southern California

Scale: 1:1	Company: S.S.
Part No: 2.5gal	Part Name: S.S.
Rev: 01	Part No: S.S.
2.5gal HANDLED WARE	Product Drawing
Part No: M17781	Rev: 2